

# SHINOLA WATCHES

## SIZING GUIDE

We created this printable sizing guide to help you judge the scale of our watches on your wrist.

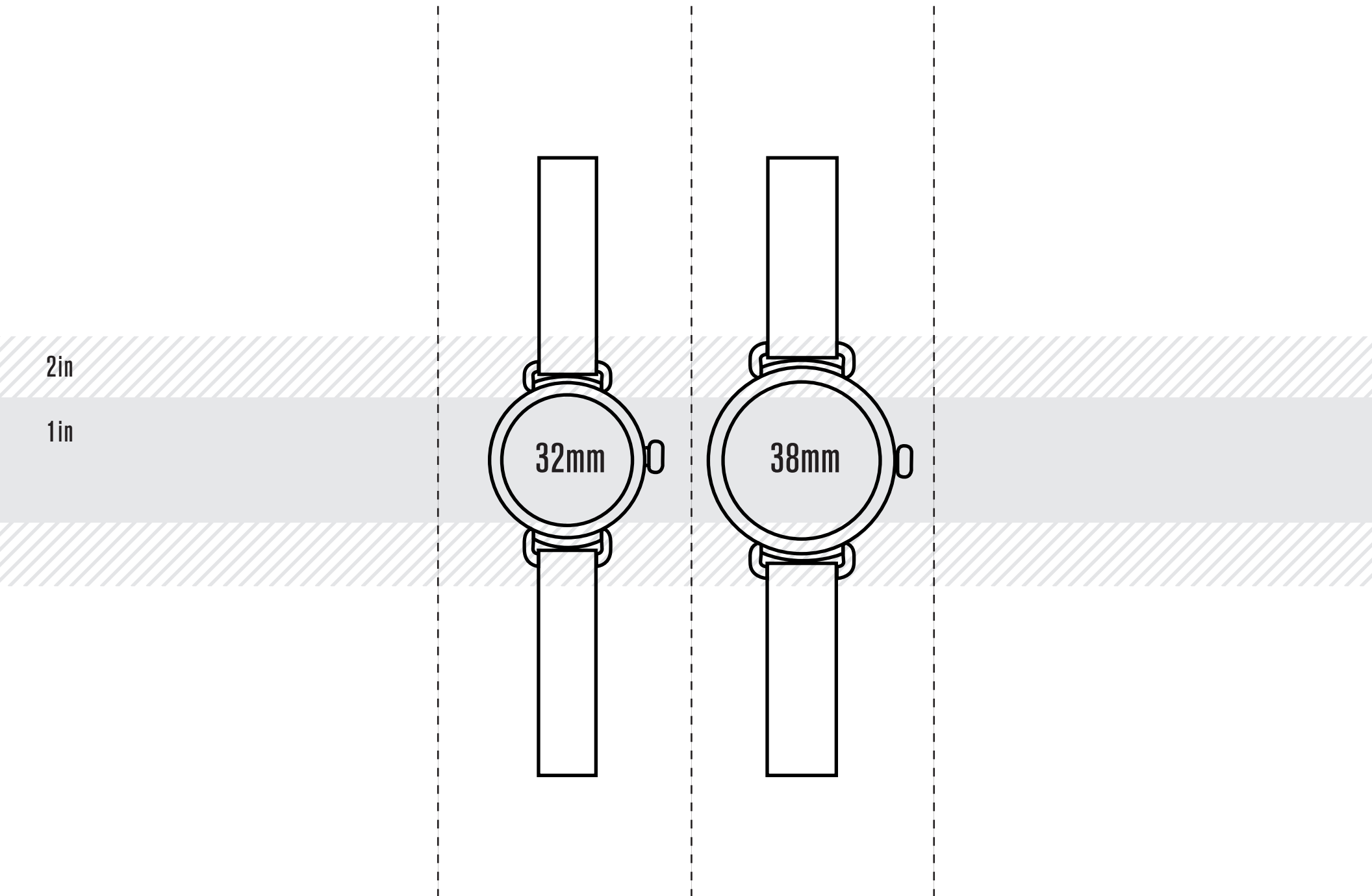
Print this template on an 8.5" x 11" piece of paper at 100% and cut out your preferred size.



**RULER TO SCALE FOR REFERENCE**



# THE CANFIELD



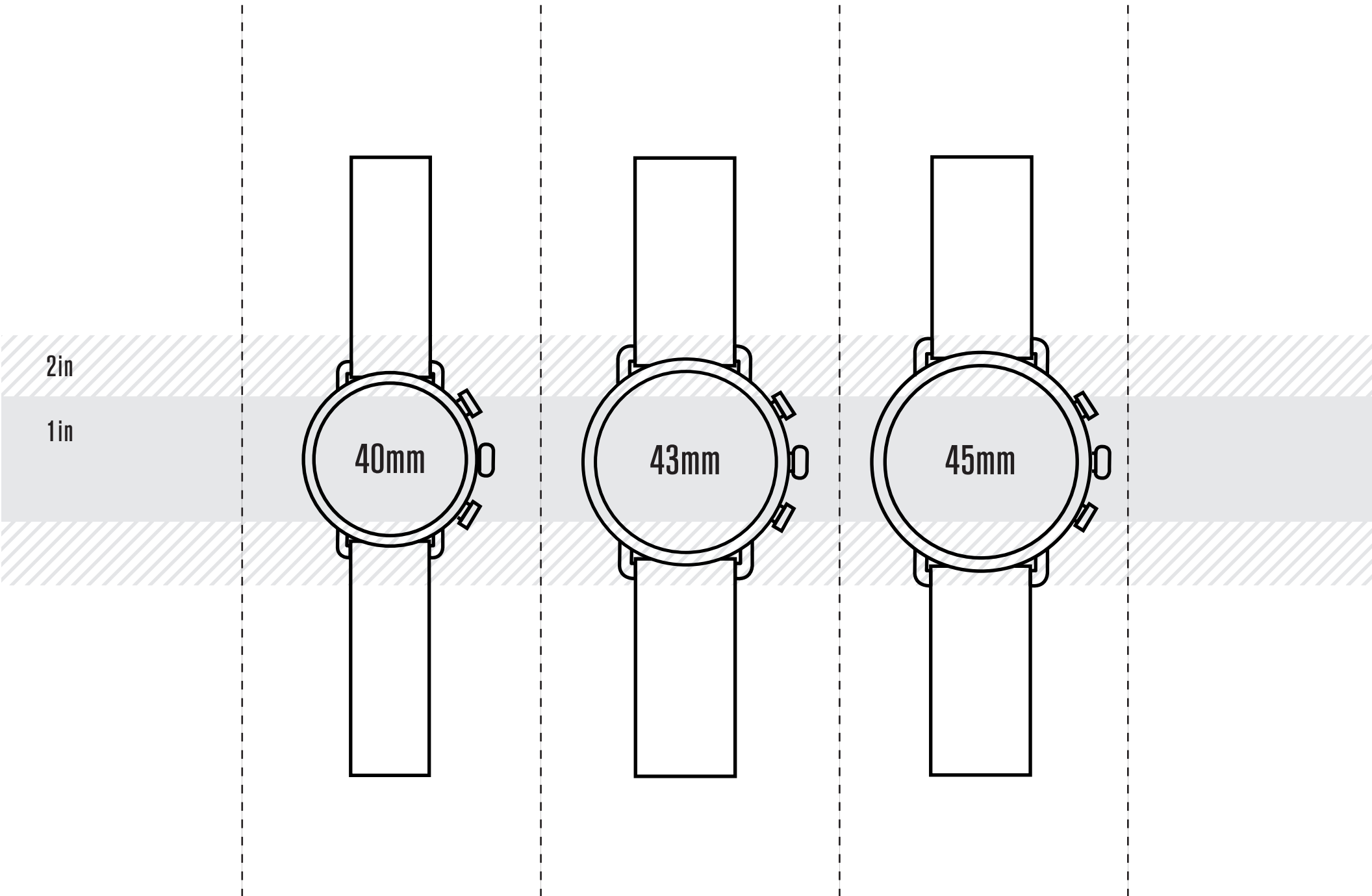
2in

1in

32mm

38mm

# THE CANFIELD



2in

1in

40mm

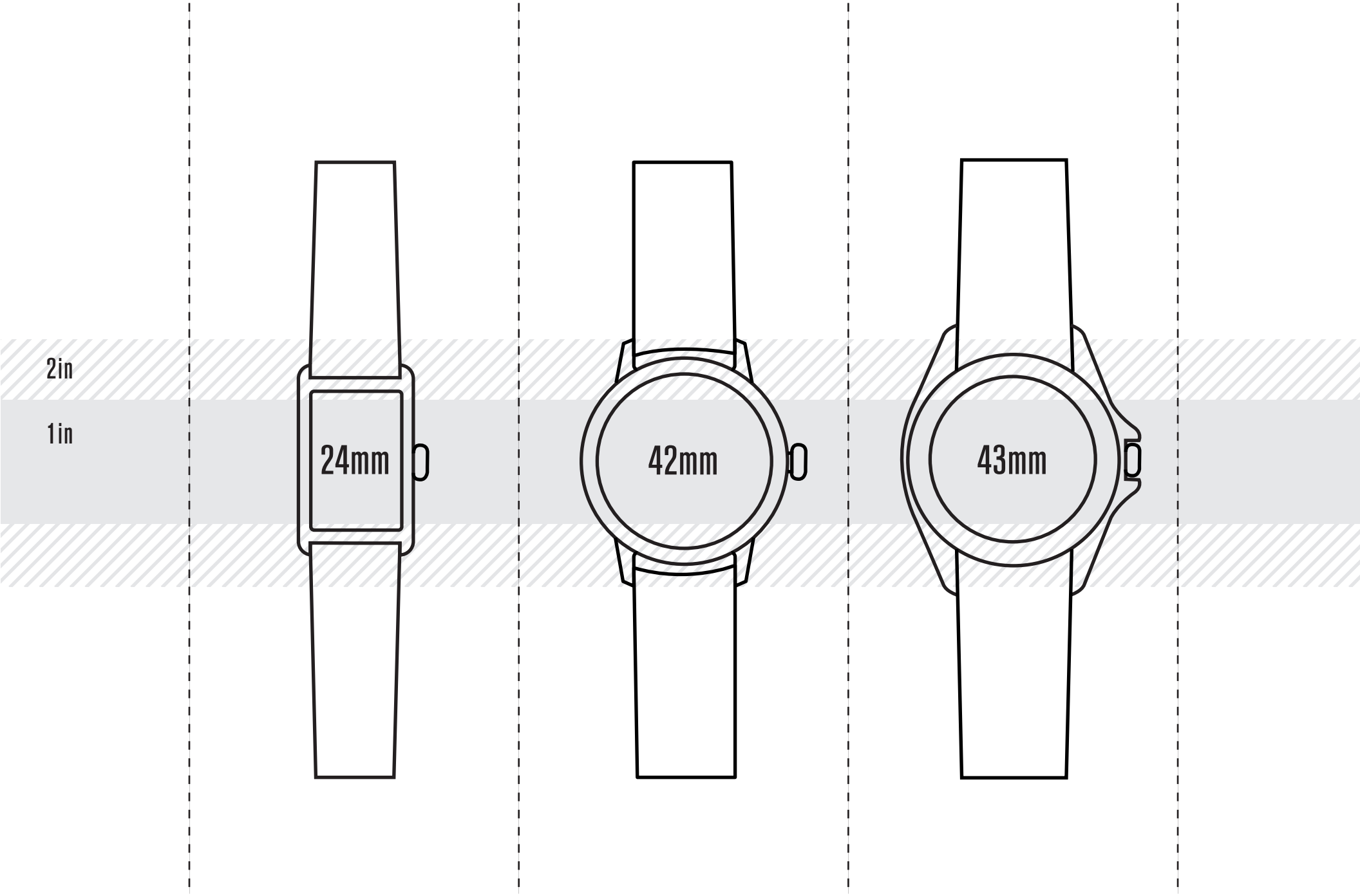
43mm

45mm

# THE MULDOWNEY

# THE BEDROCK

# THE SHINOLA MONSTER



2in

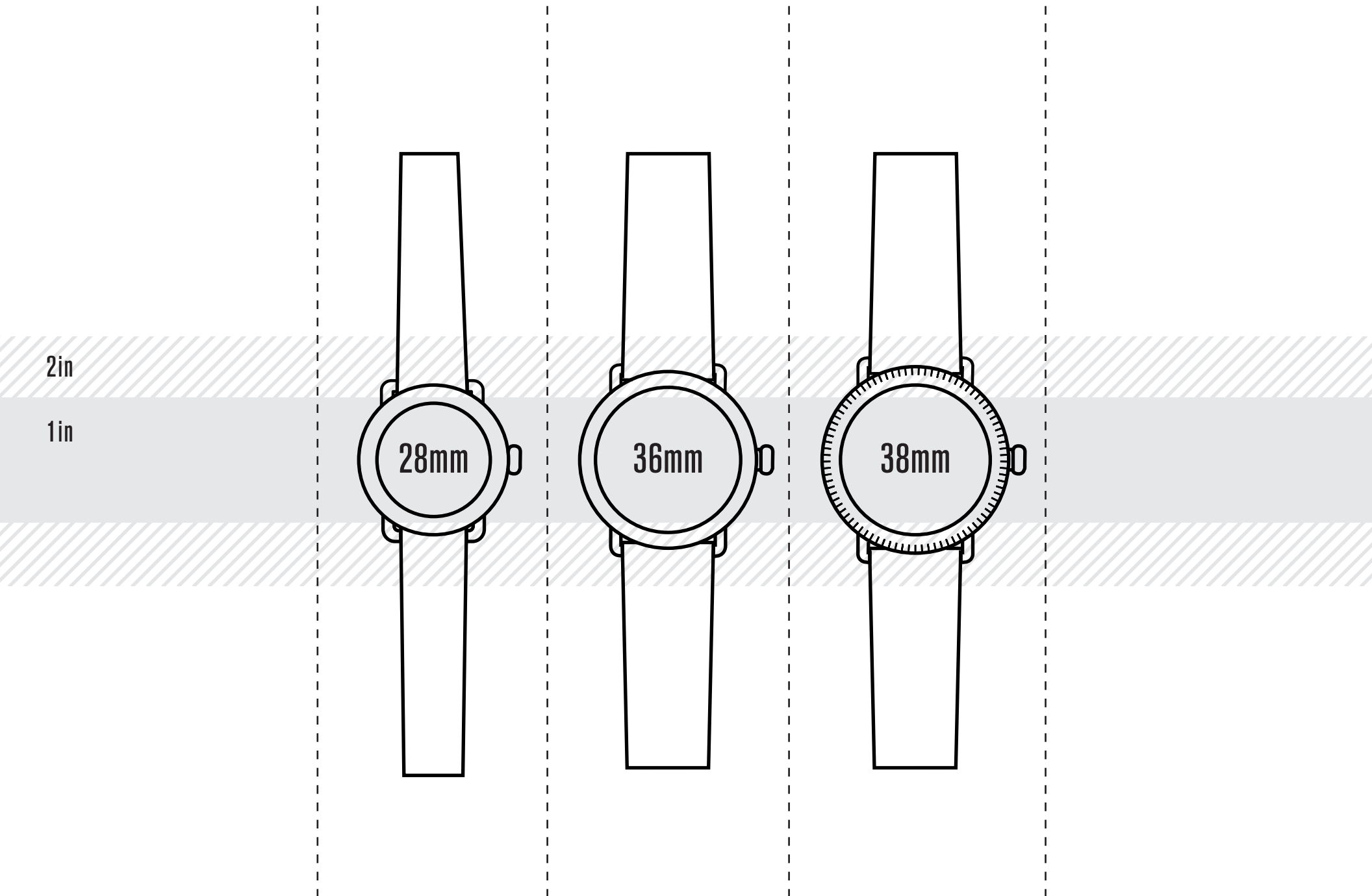
1in

24mm

42mm

43mm

# THE RUNWELL



2in

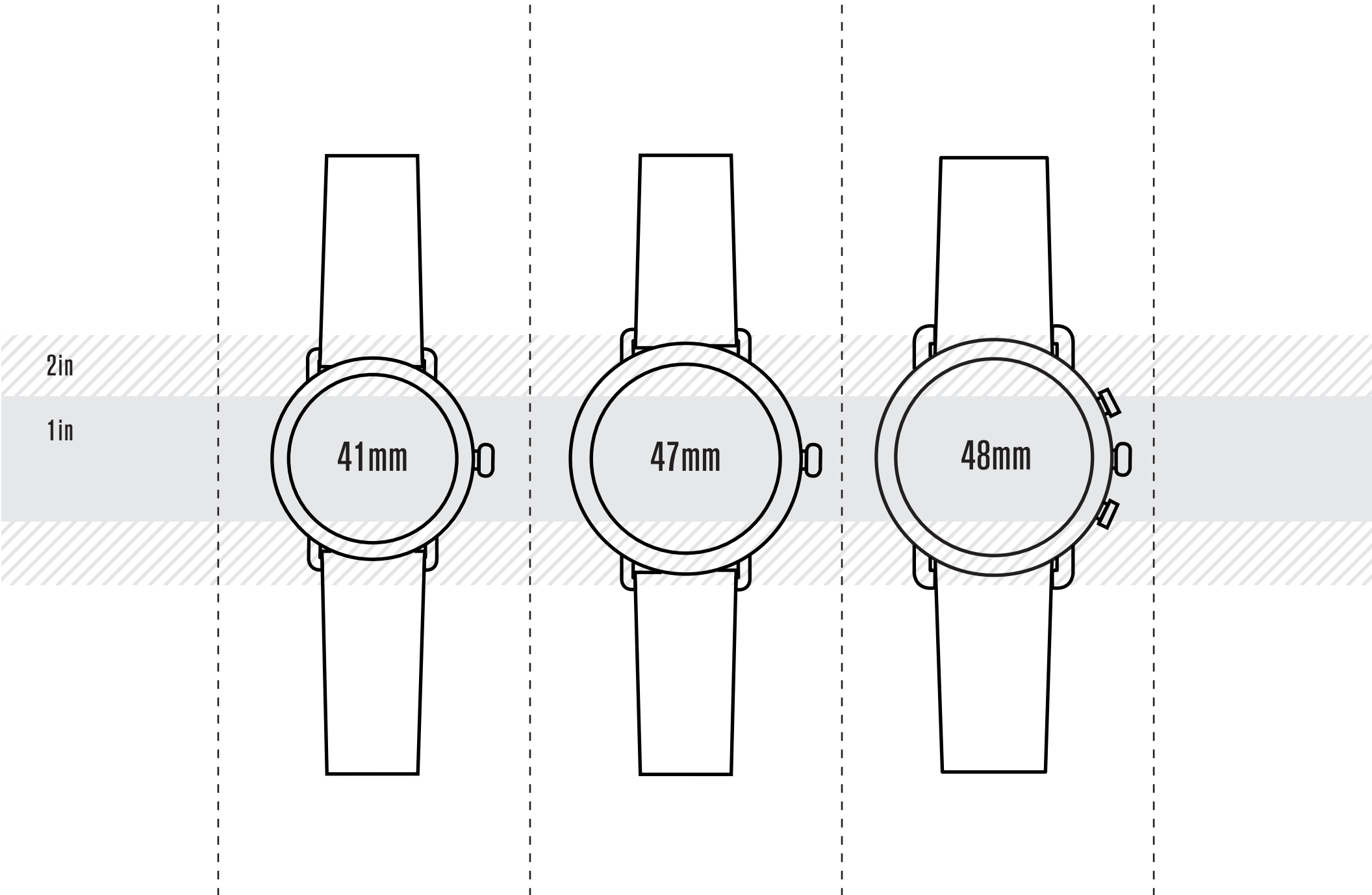
1in

28mm

36mm

38mm

# THE RUNWELL



2in

1in

41mm

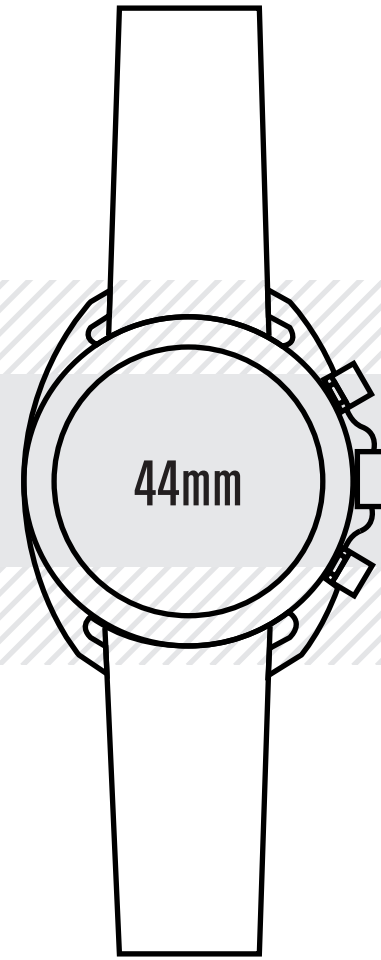
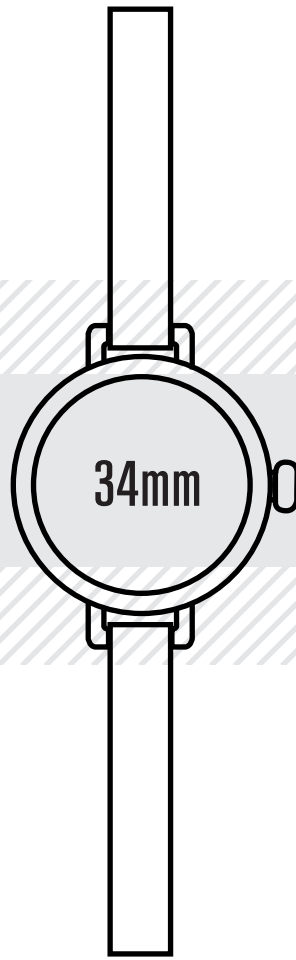
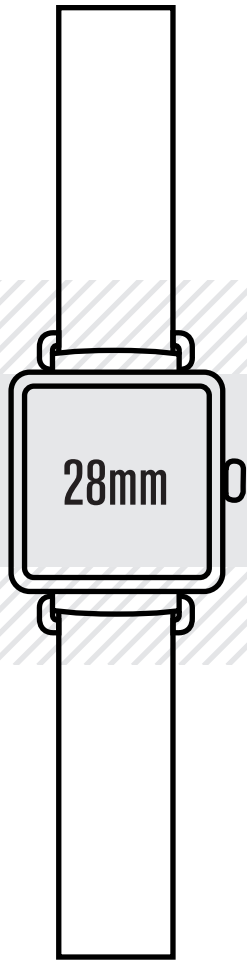
47mm

48mm

## THE CASS

## THE BIRDY

## THE RAMBLER

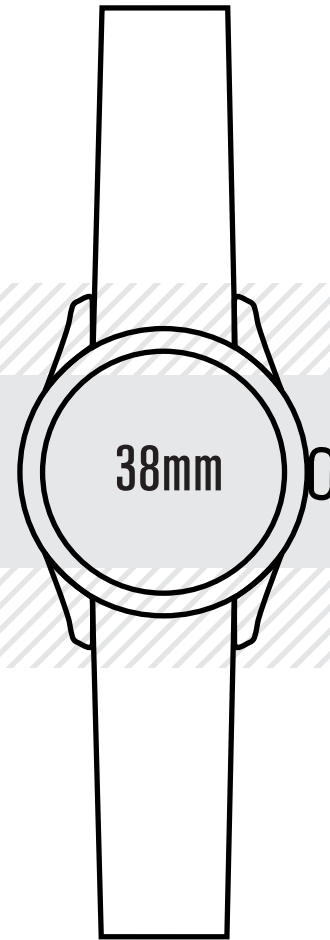
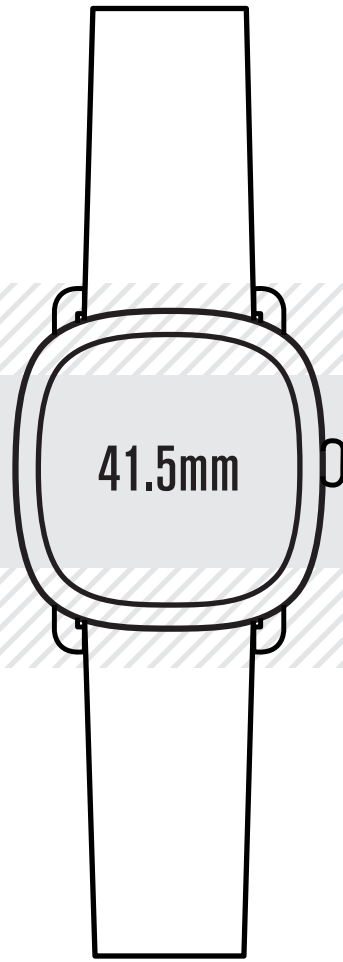
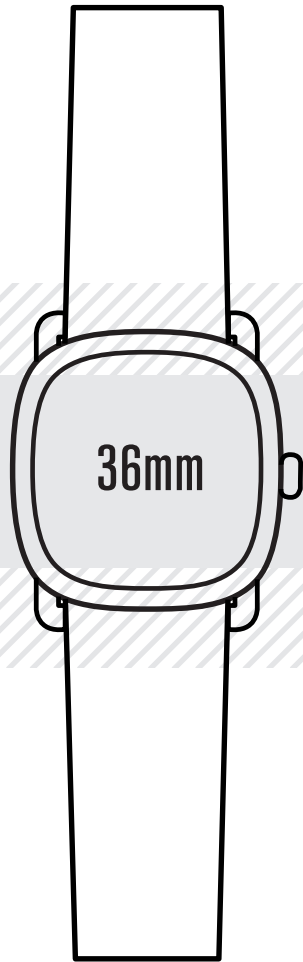


2in

1in

## THE GUARDIAN

## THE VINTON

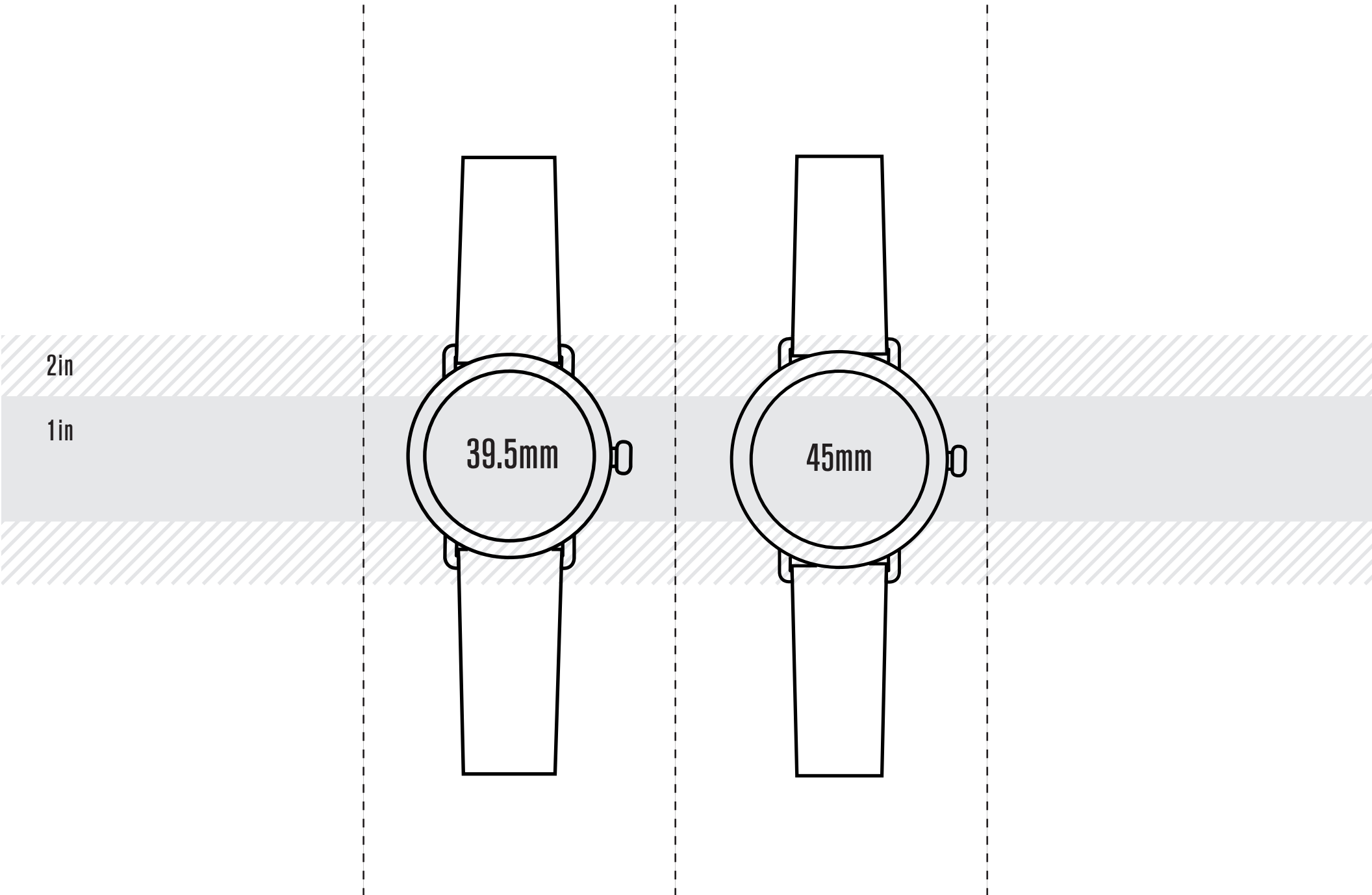


2in

1in



# THE RUNWELL AUTOMATIC



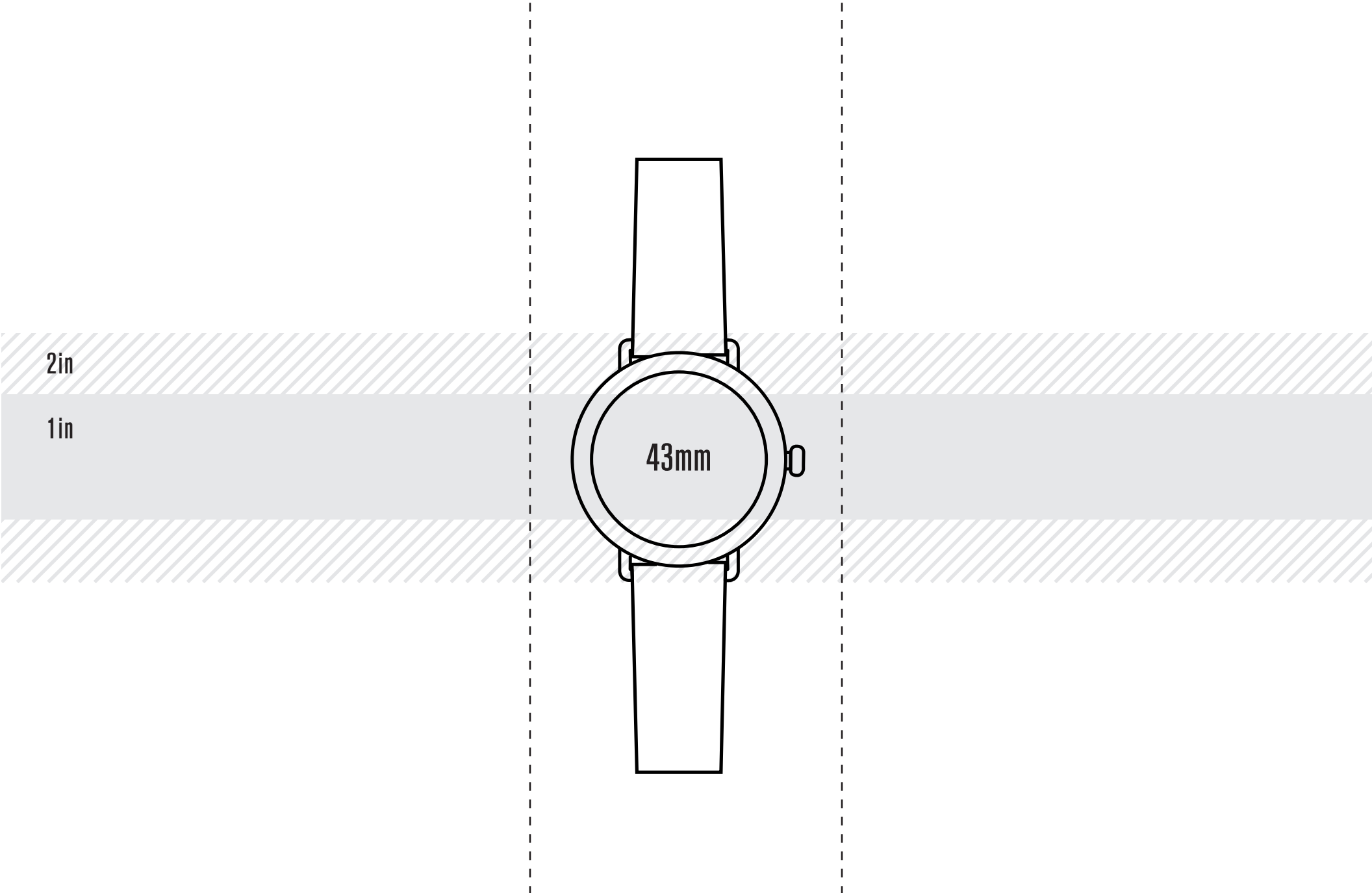
2in

1in

39.5mm

45mm

# DETROLA



2in

1in

43mm

# OMAHA

